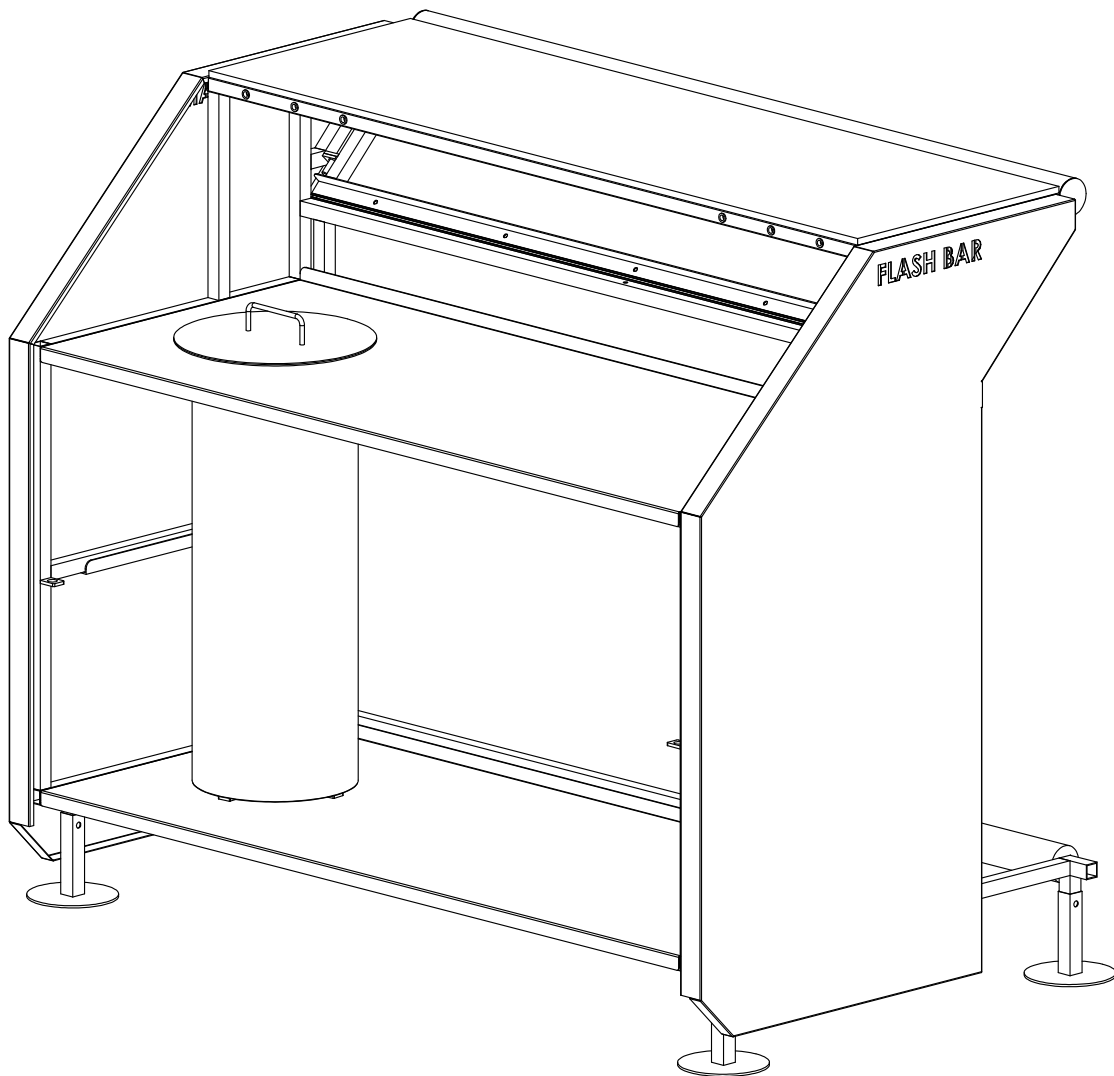




FLASH BAR STRAIGHT SEGMENT TRASH CHUTE SET UP

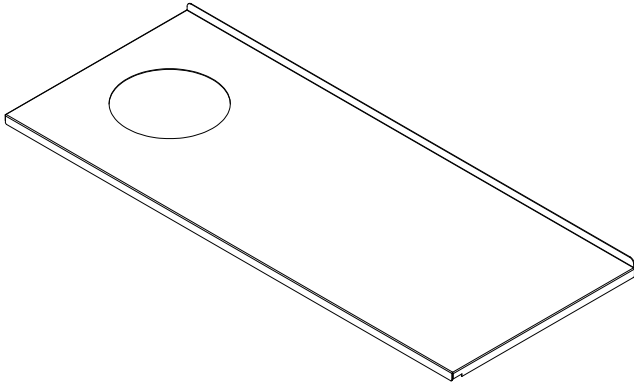


- **Read all the instructions before installing.**
- **Remove all packing materials before you start.**
- **Remove all protection films from acrylic panels.**
- **This installation requires basic mechanical skills.**
- **Proper installation is the responsibility of the installer.**
- **Product failure due to improper installation is not covered under the warranty.**
- **Keep this instruction manual.**

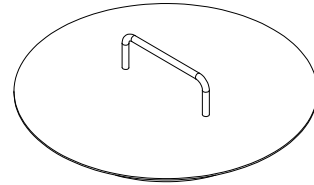
PORTABLE™
BAR
COMPANY

TM

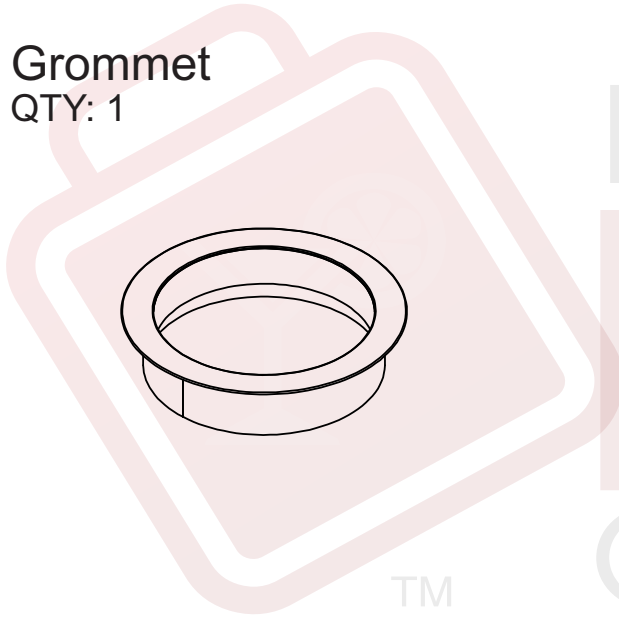
Trash Chute Shelf
QTY: 1



Lid
QTY: 1



Grommet
QTY: 1



Trash Bin
QTY: 1



Note: Parts are not to scale.

STEP 1: Take out previously installed working surface, as shown below:

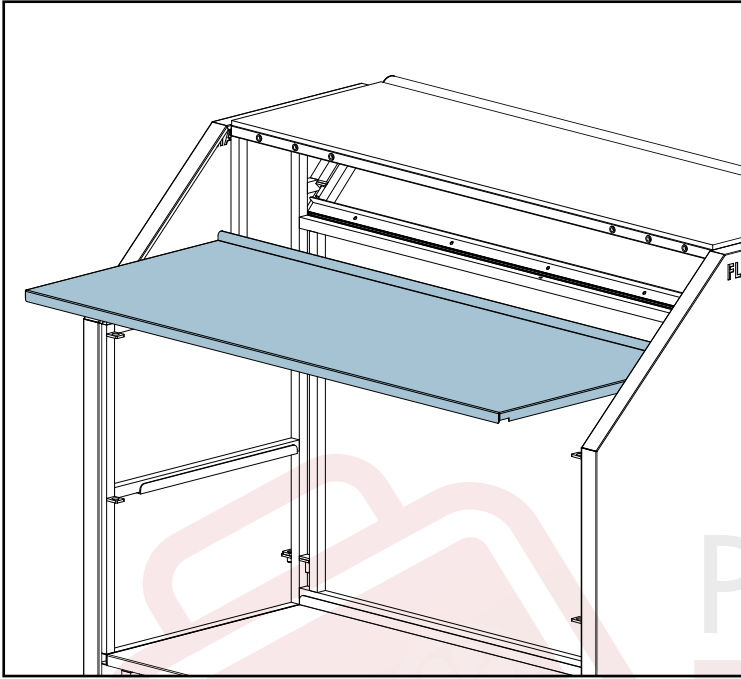


Figure 1

STEP 2: Install trash chute shelf.

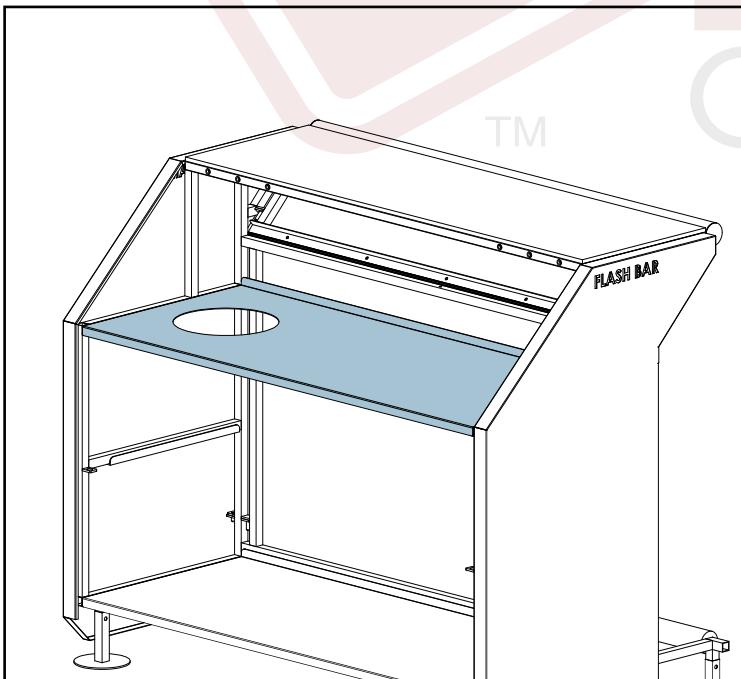


Figure 2

STEP 3: Install trash bag in trash bin.

STEP 4: Slide-in trash bin and align it with the cutout on the shelf.

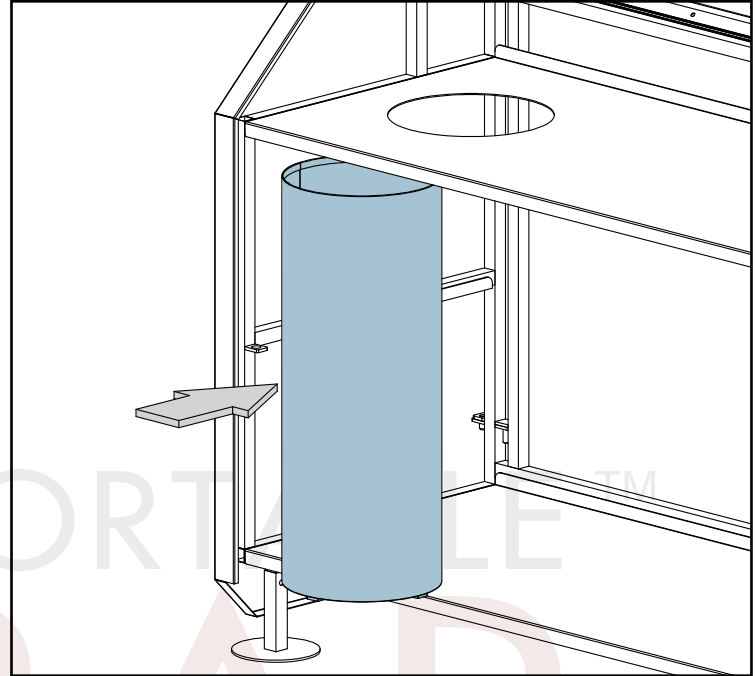


Figure 3

STEP 5: Install grommet by dropping it in the shelf cutout.

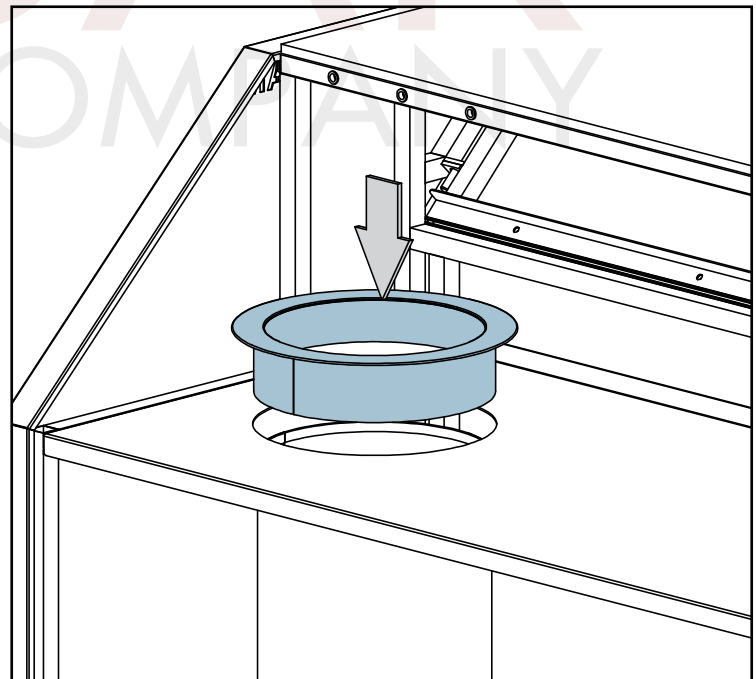


Figure 4

STEP 6: Complete installation by placing the lid on top.

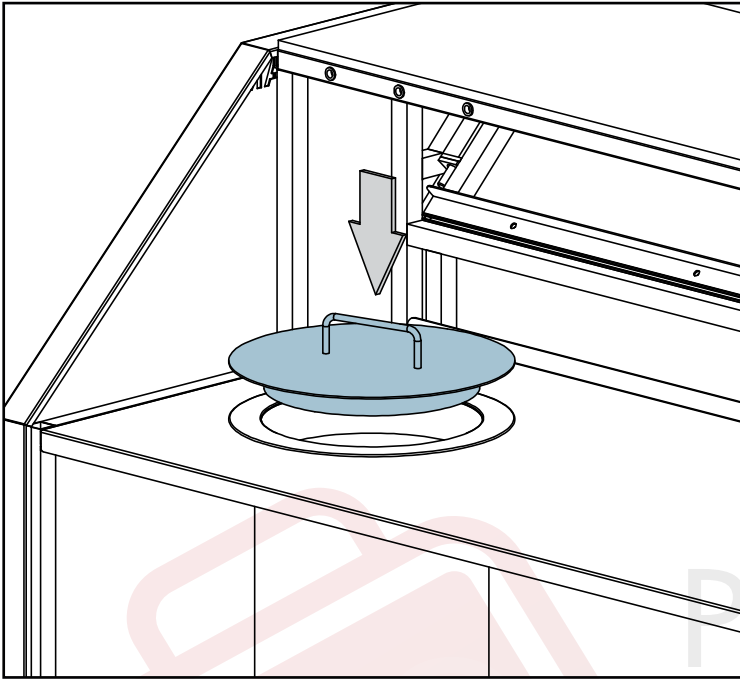
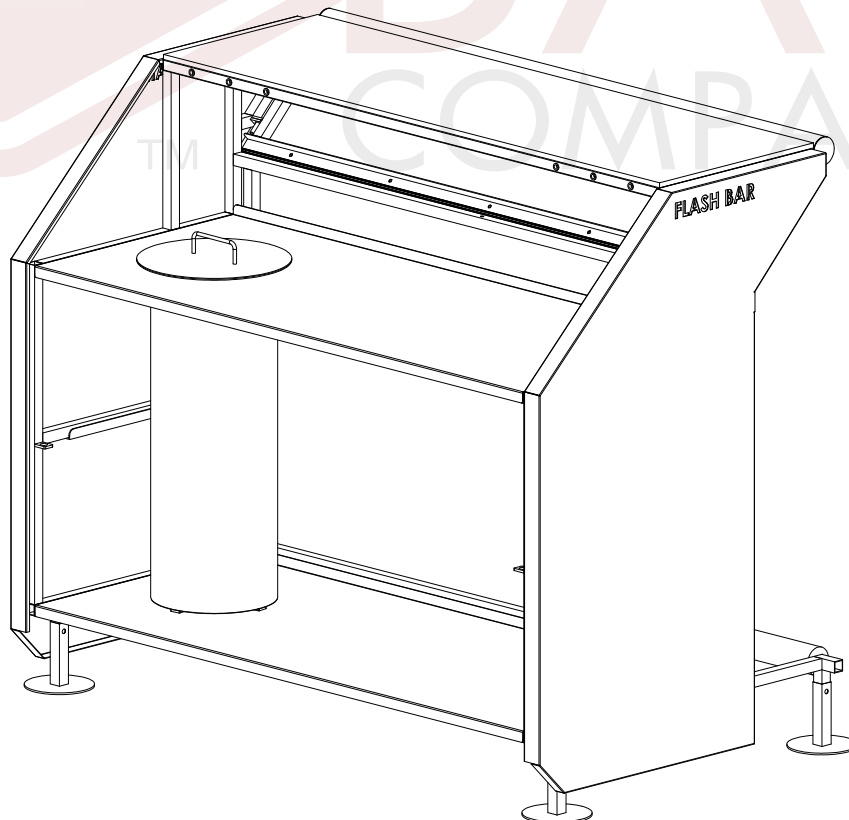


Figure 5

Final Assembly





Contact us

Tel # 877-958-7901

Fax # 866-659-3353

E-mail: info@theportablebarcompany.com

Visit us at

www.theportablebarcompany.com

