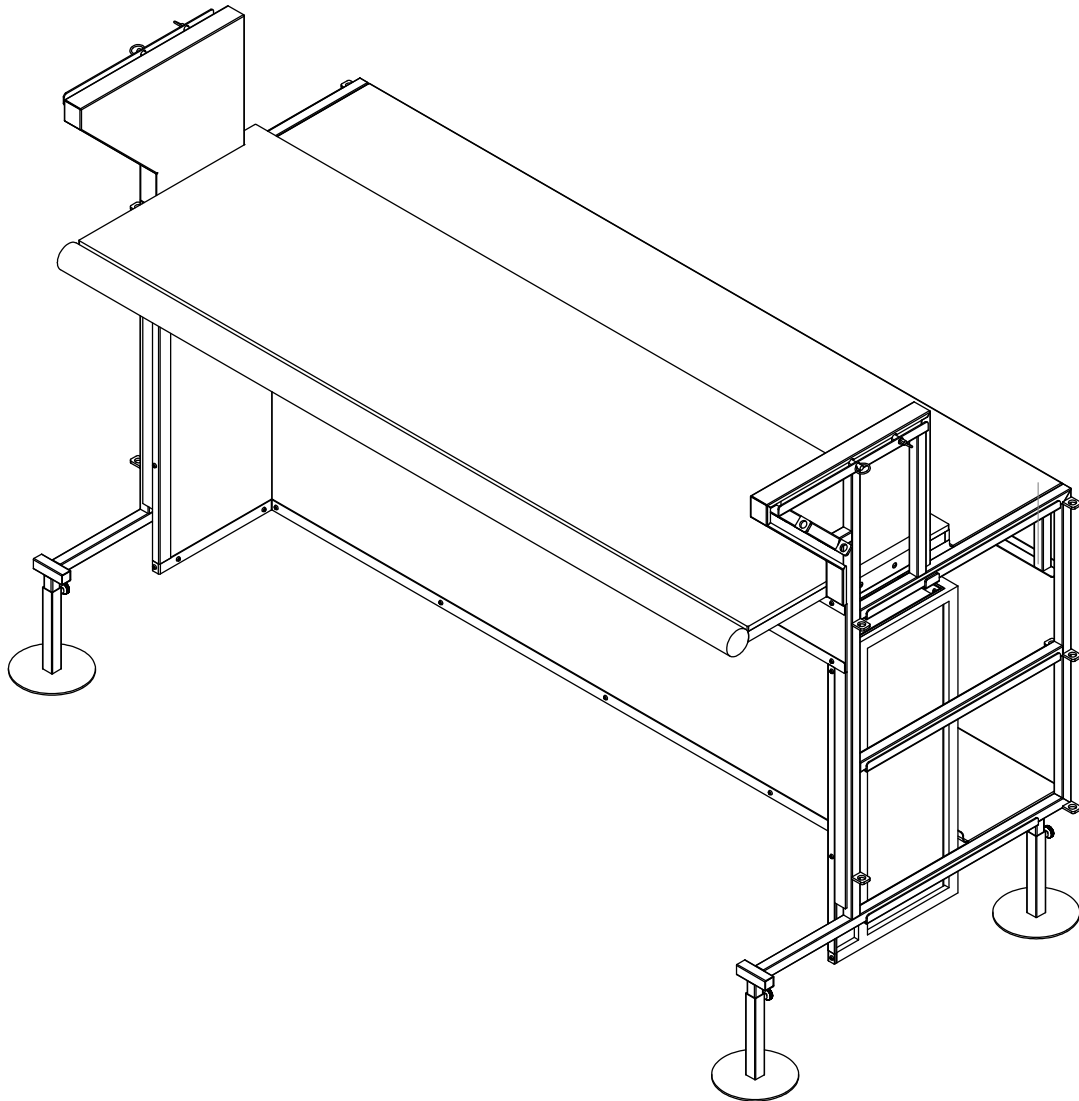


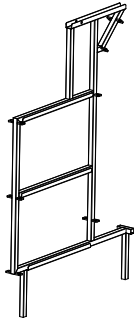


ADA SEGMENT SETUP GUIDE

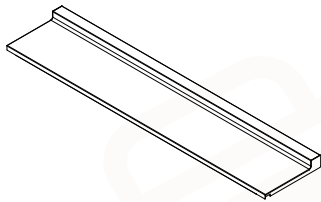


- **Read all the instructions before installing.**
- **Remove all packing materials before you start.**
- **Remove all protection films from ACP panels.**
- **This installation requires basic mechanical skills.**
- **Proper installation is the responsibility of the installer.**
- **Product failure due to improper installation is not covered under the warranty.**
- **Keep this instruction manual.**

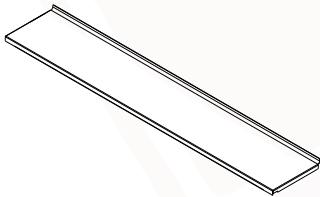
Side Frame
QTY: 1



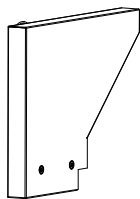
Shelf A
QTY: 1



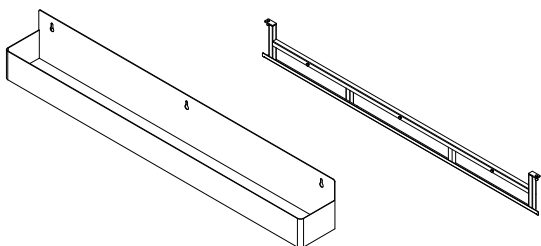
Shelf B
QTY: 1



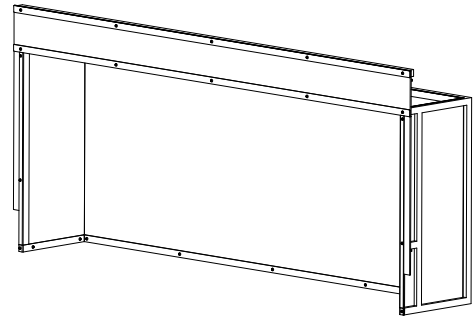
End cap
QTY: 2



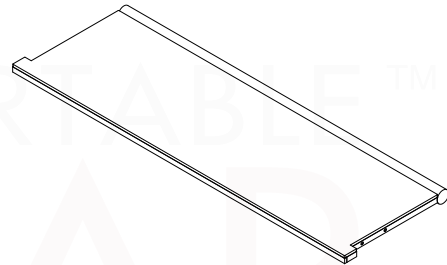
Speedrail and bracket (Add on)
QTY: 1ea



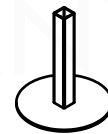
ACP Panel
QTY: 1



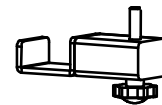
Counter
QTY: 1



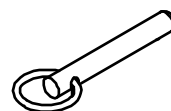
Feet
QTY: 2



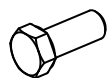
Support Bracket
QTY: 2



Small hardware



Locking pin
QTY: 2



Bolt
QTY: 4

Note: Parts are not to scale.

STEP 1: Install the feet on the sides frames by just sliding them in. Fix them in place by tightening the thumb screw on each foot.

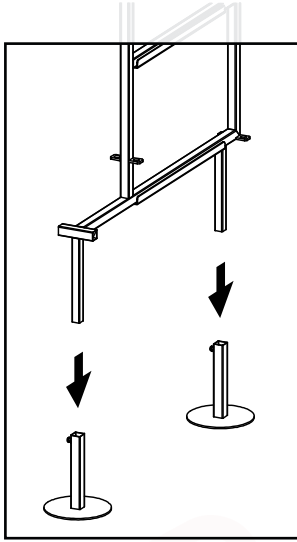


Figure 1

STEP 2: Place side frames as shown below:

Note: You will find a 2nd side frame being adjoined with another Flash Bar segment.

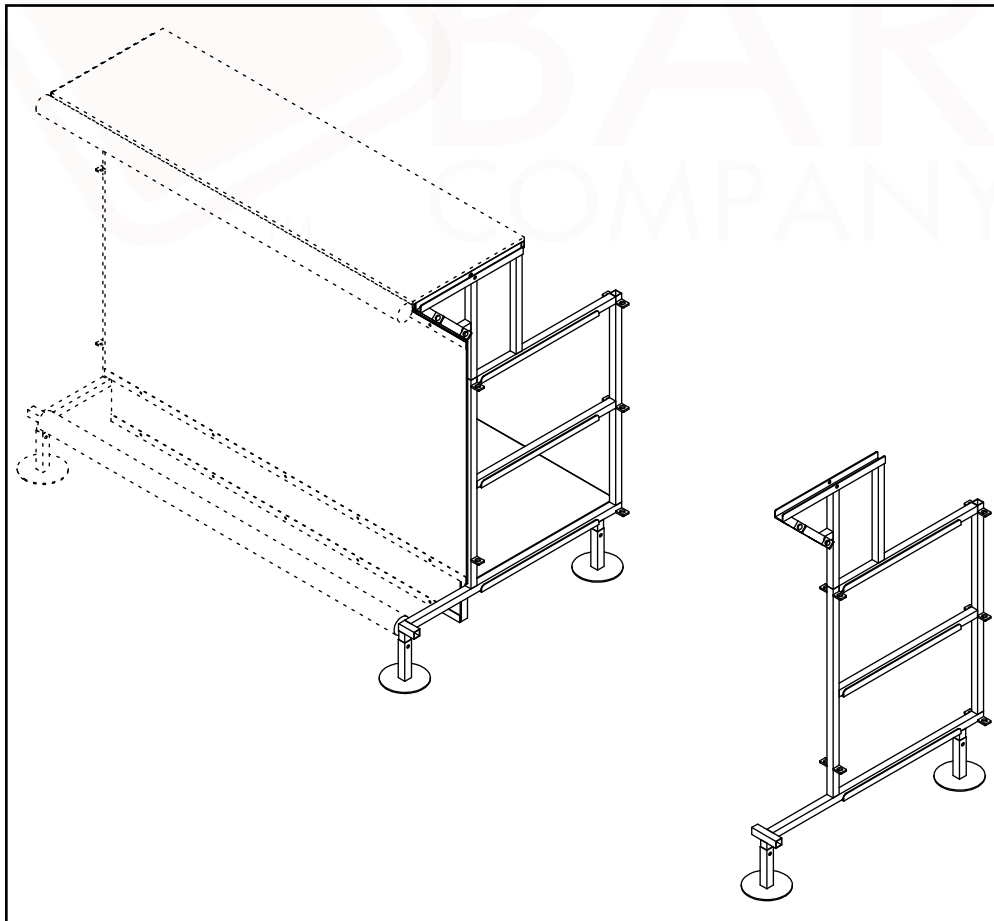


Figure 2

STEP 3: Slide in the ACP panel by aligning the posts on the panel with the tabs on the side frame.

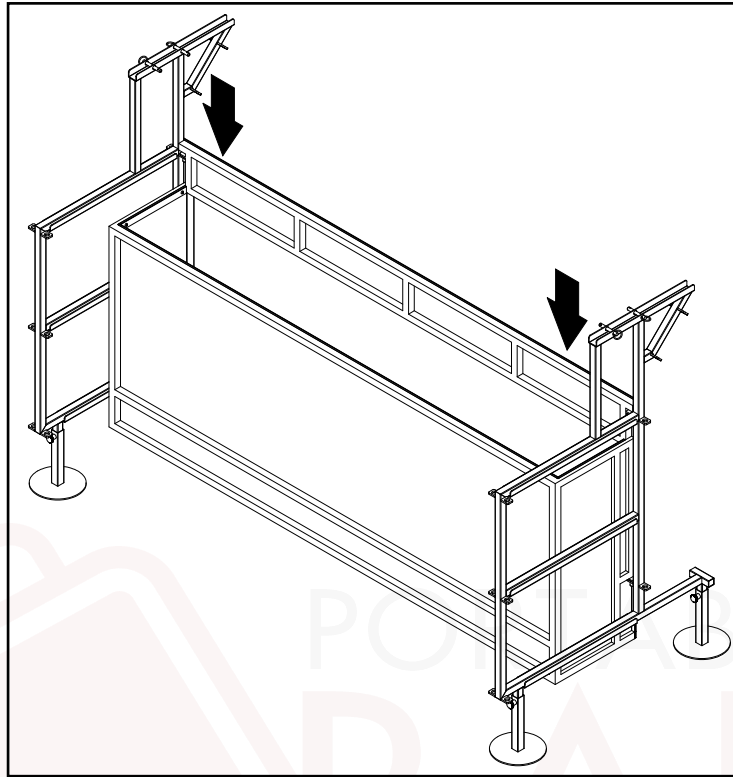


Figure 3

STEP 4: Install the endcap by placing it on top of the side frame as shown below:

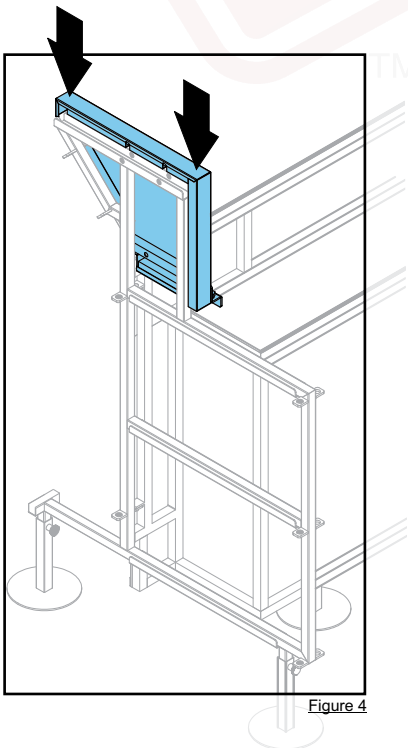


Figure 4

STEP 5: Fix in place the endcap by installing the support bracket as shown below. Tighten support bracket using it's thumbscrew. Do this for both end caps.

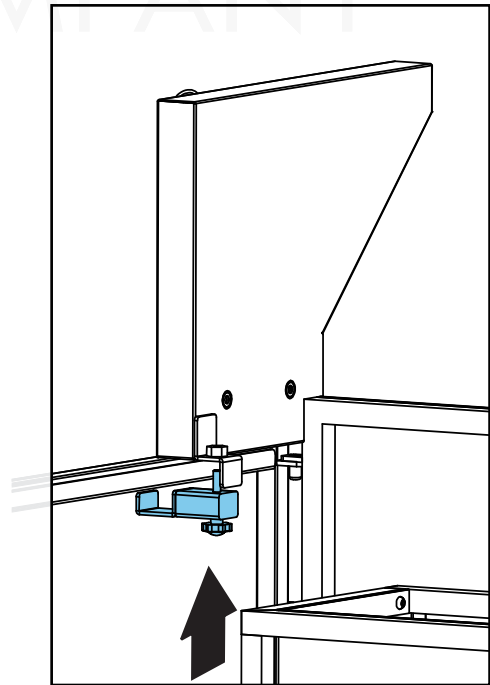


Figure 5

Note: Repeat this step for both end caps.

STEP 6: Put both shelves in place by sliding them in the side-frame channels, as shown below:

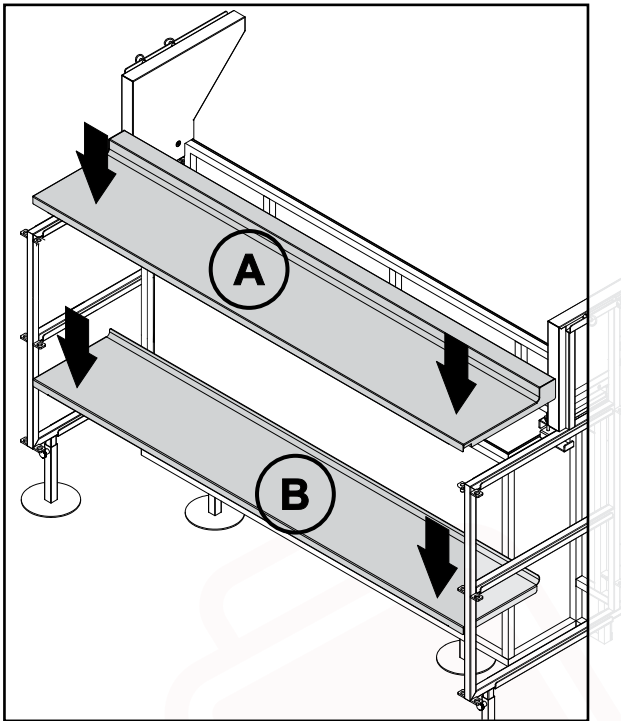


Figure 6

STEP 7: Place the counter on top of the side frames by aligning it with the channels on the side frames.

Note: Remove protection film from acrylic.

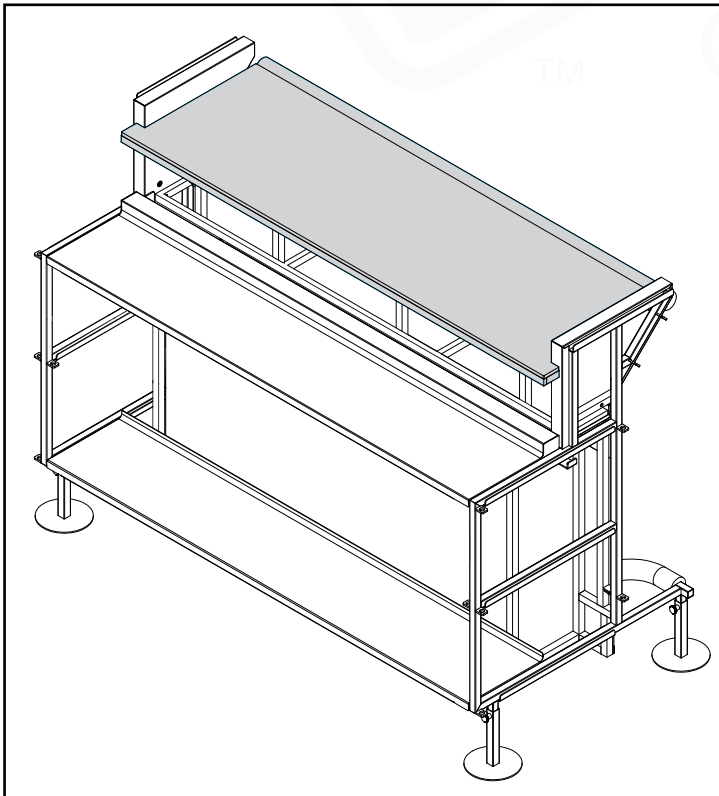


Figure 7

STEP 8: Use provided bolts to help secure the counter in place, as shown below:

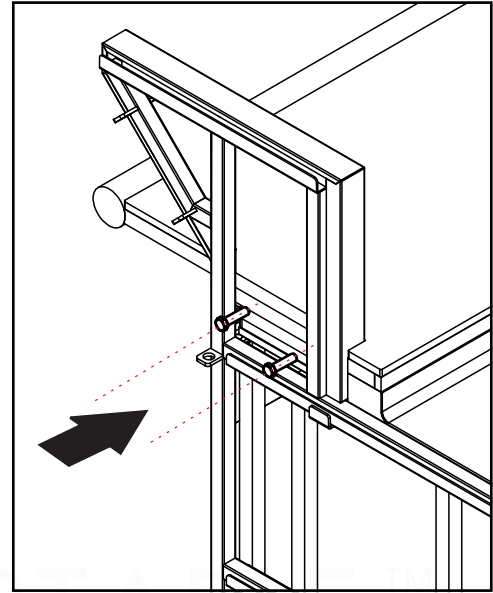


Figure 8

Note: Follow next step ONLY FOR sides with adjoined segments.

STEP 9: Secure end caps by installing two pins through the side frame. Depending on your specific configuration you may have to install the pins underneath a counter.

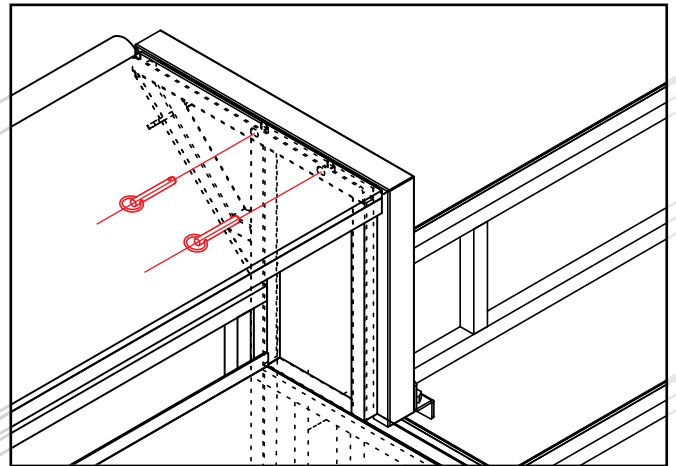


Figure 9

Speedrail Installation

STEP 1: Lift the upper working surface and install the speed rail bracket by aligning the posts on the bracket with the tabs on the side frame.

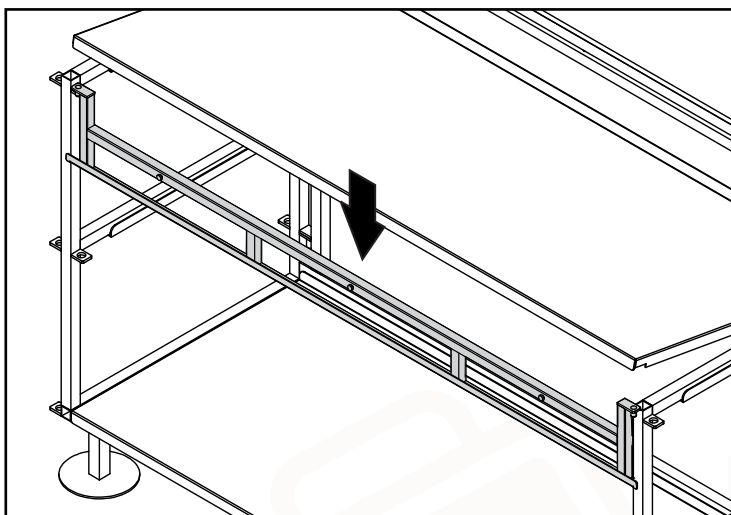


Figure 10

STEP 2: Hang the speed rail from the posts located on the bracket, as shown below:

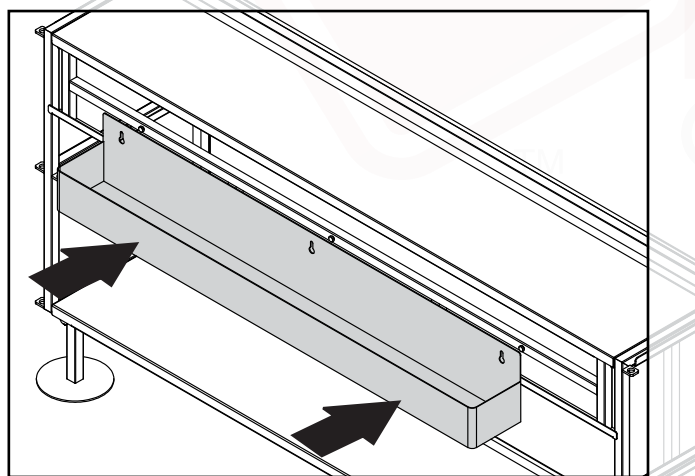
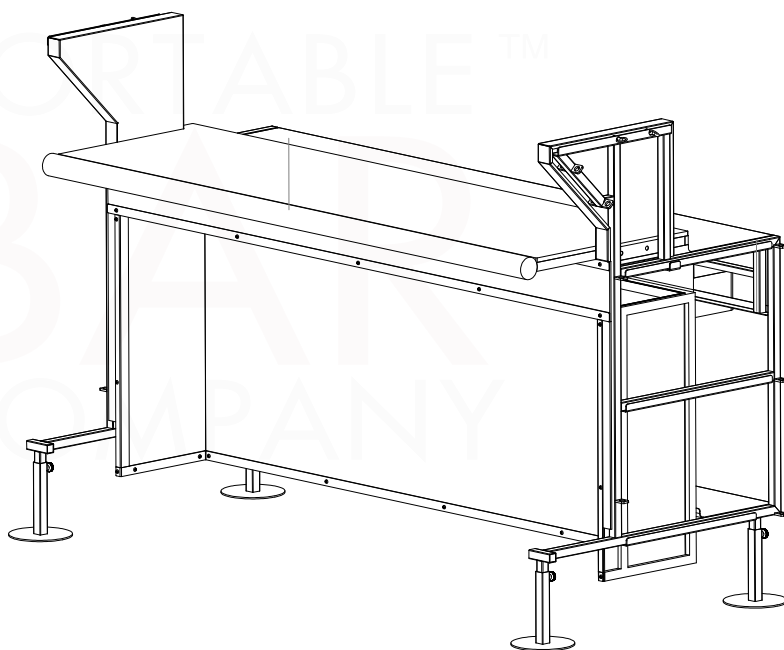


Figure 11

Full Assembly

Figure 12





Contact us

Tel # 877-958-7901

Fax # 866-659-3353

E-mail: info@theportablebarcompany.com

Visit us at

www.theportablebarcompany.com

