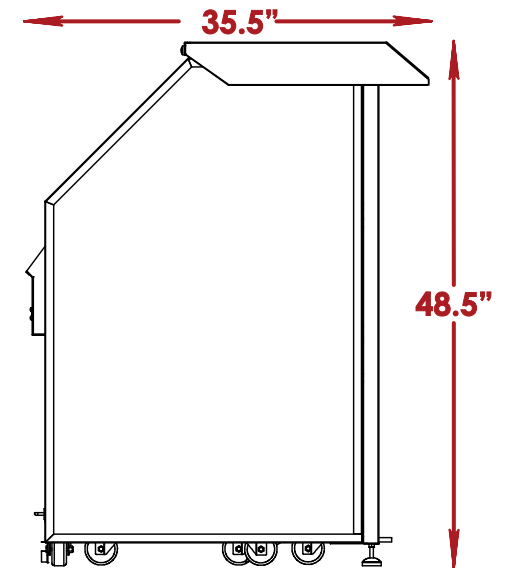
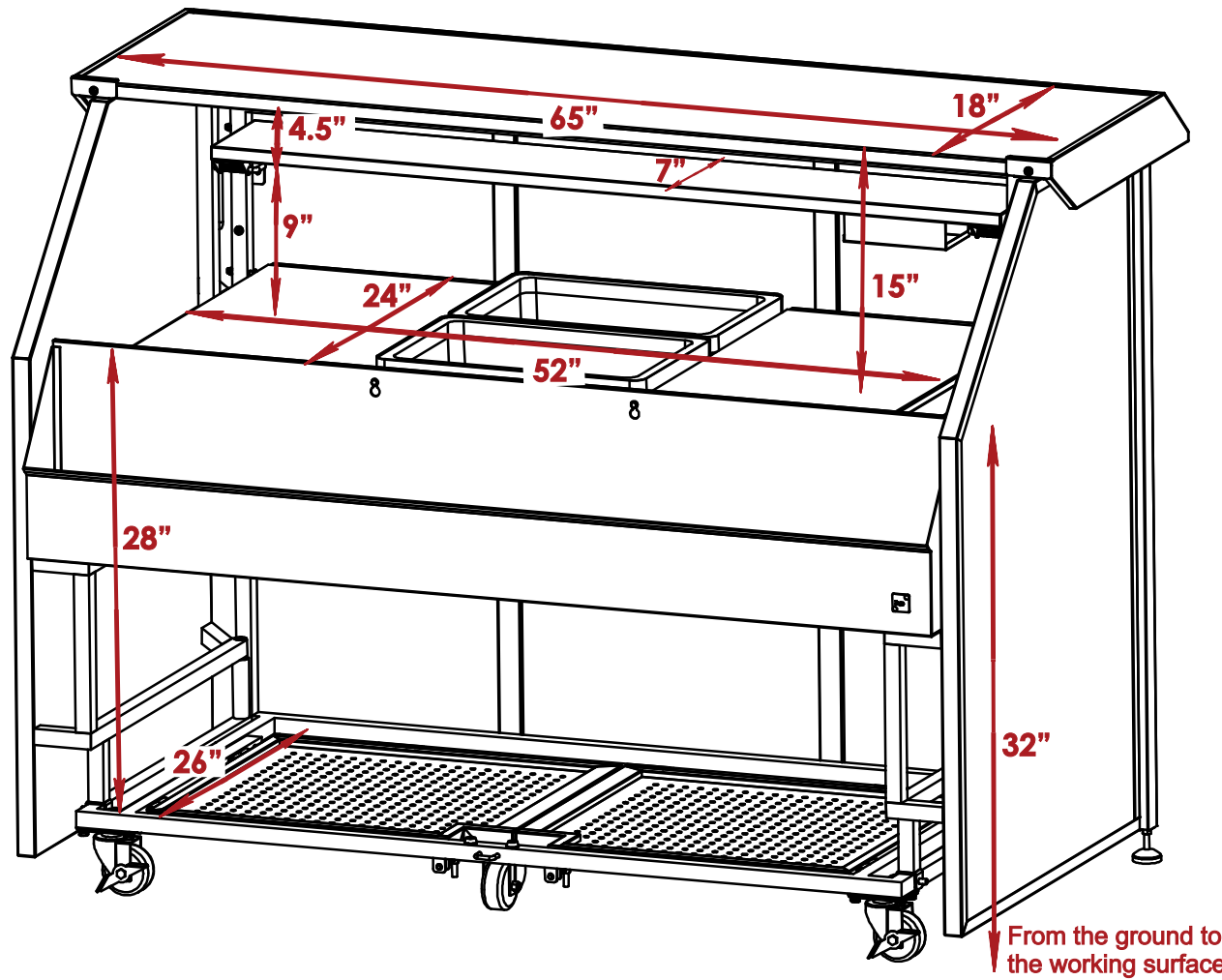


OVERALL DIM

Height	48.5"
Width	65"
Depth	35.5"
Weight	270lb



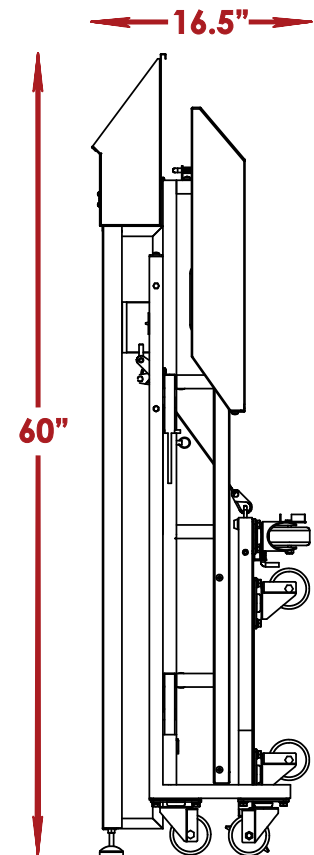
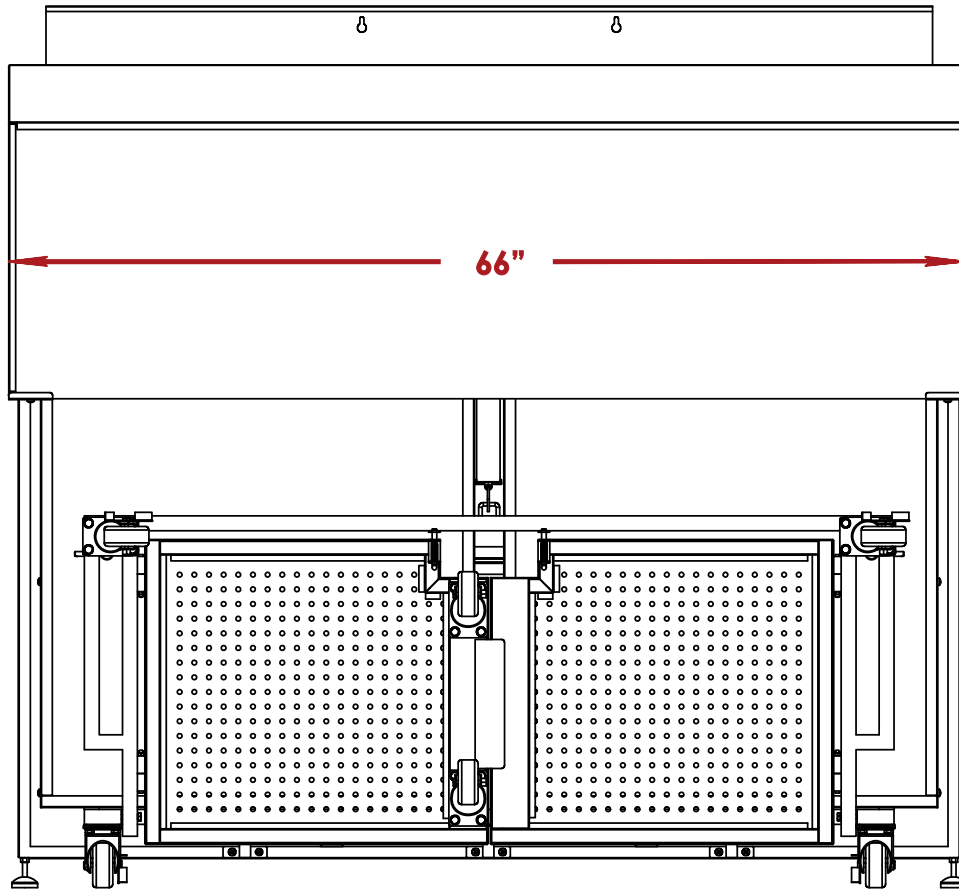
Professional Bar

OVERALL DIM

Height 60"

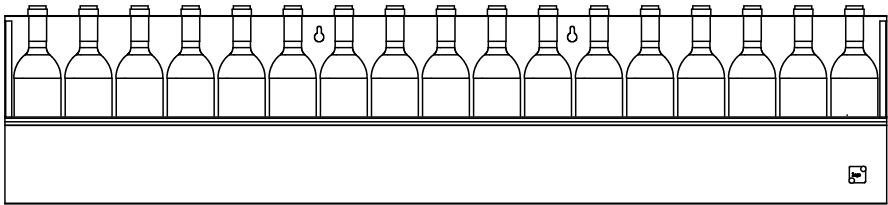
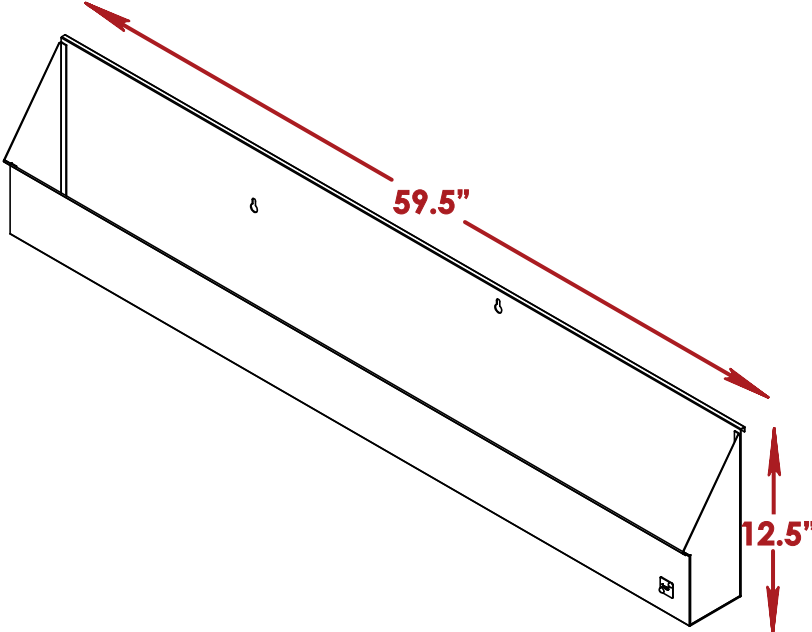
Width 66"

Depth 16.5"



Professional Bar

Speed Rail



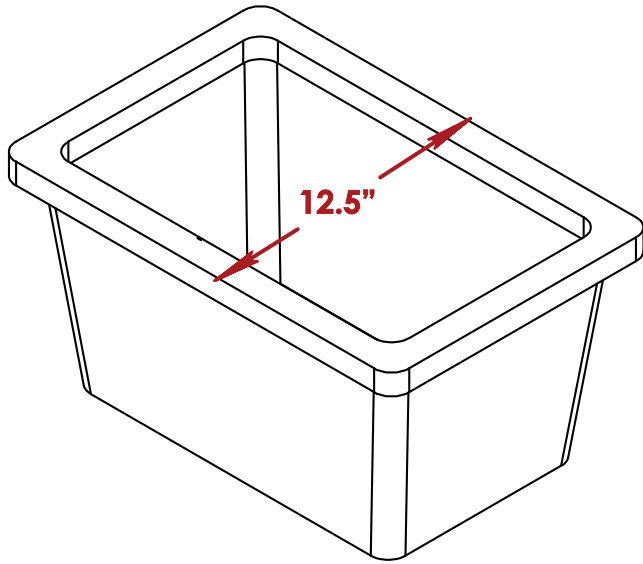
Up to 17
bottles of wine.
Bottle diameter: 3"



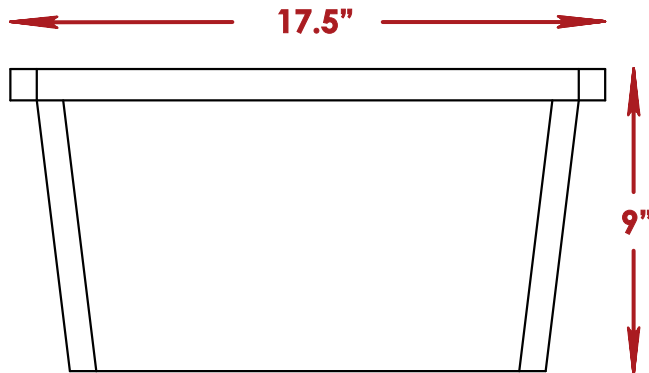
Professional Bar

Ice bin

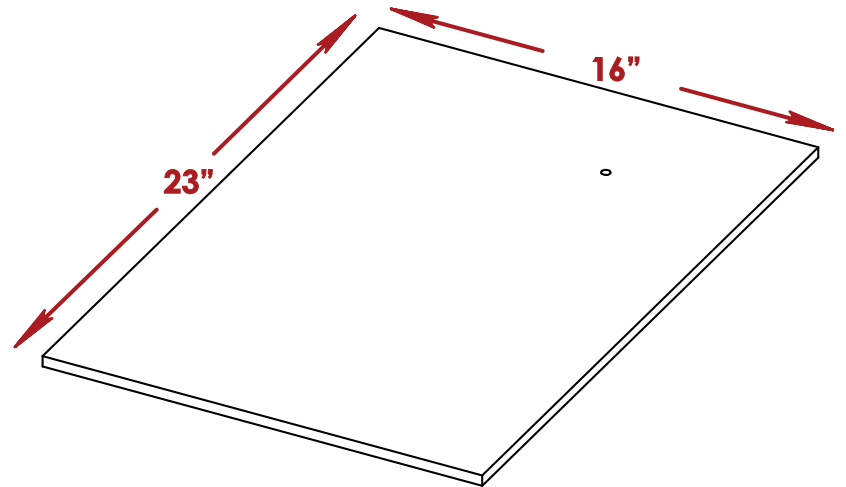
Two ice bins included



Up to 4
bags of ice
Bags weight: 10 lb



Cutting Board



Professional Bar